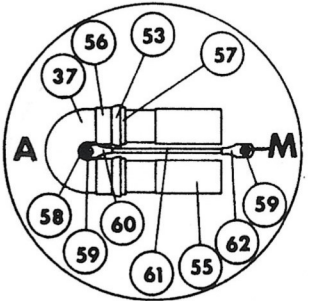
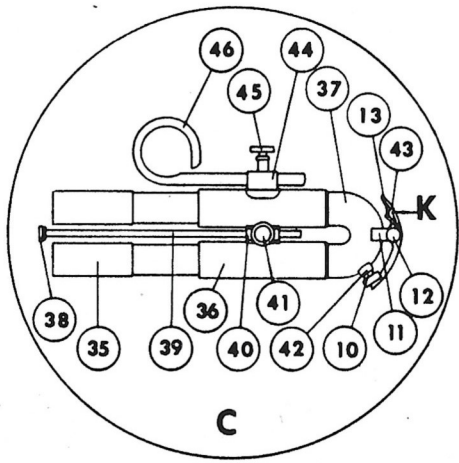
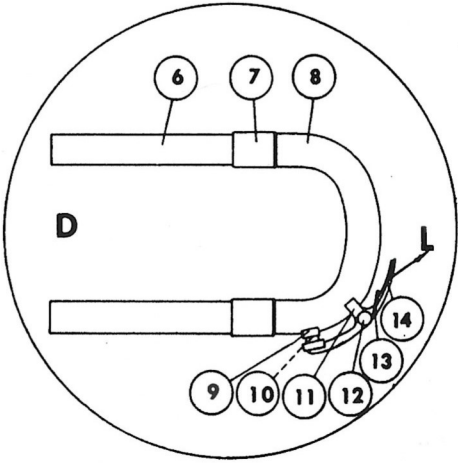
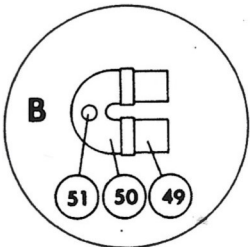
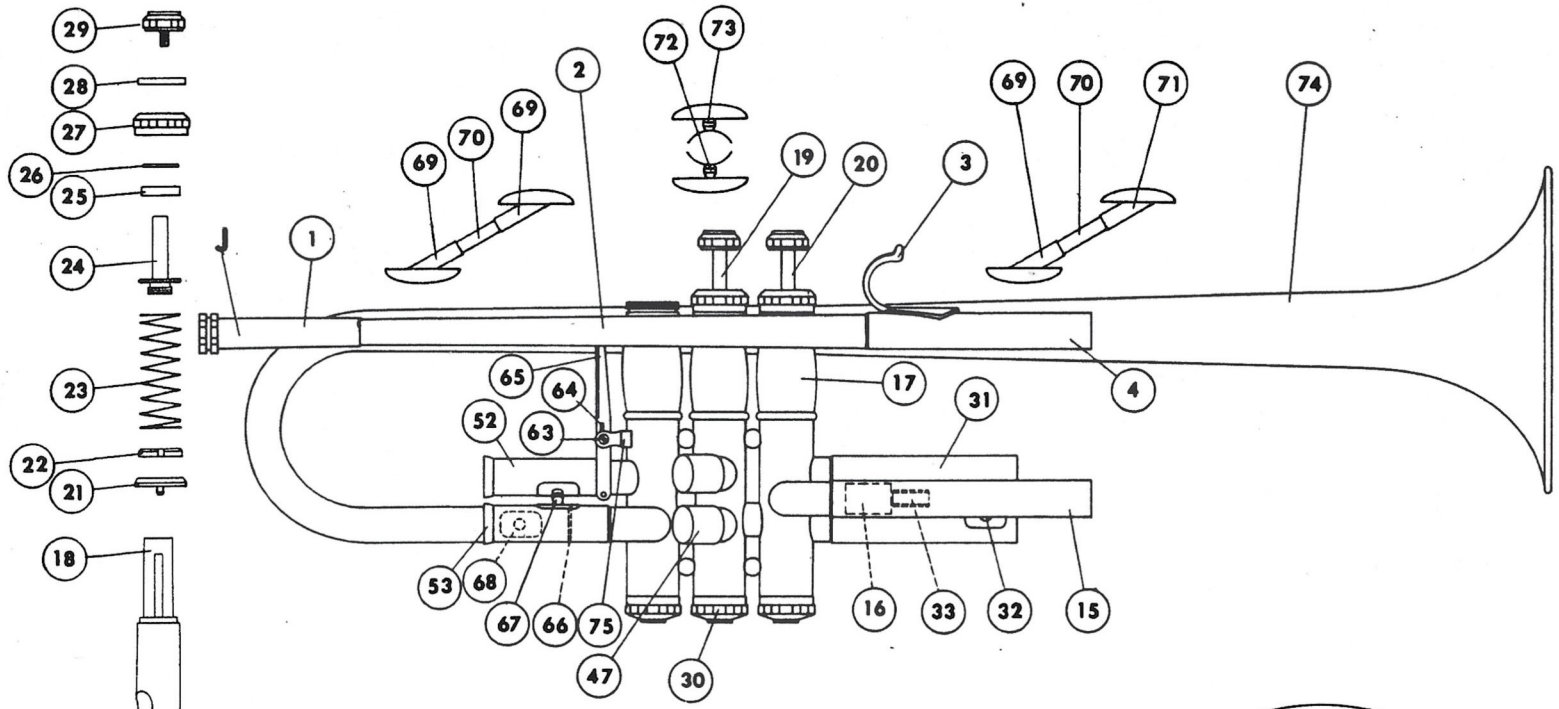


REF NO	PART NO	DESCRIPTION	QTY	LIST PRICE
1	0-03834-9	RECEIVER M-PIPE 4110	1	2.95
2	0-03691-3	M-PIPE TPT T10 4110	1	1.73
3	0-03440-5	HOOK FINGER SUP XIXX	1	1.30
4	0-05943-6	TUBE OS SL TUN 4200	1	.74
6	0-05834-7	TUBE IS TUN XIXX-X2	2	.69
7	0-03946-1	FERR 5/8 TUN SL 4100	2	.22
8	0-05090-6	CRK T SL TPT BR XIXX	1	1.89
9	0-04454-5	NIP WK TUN M/P XXXX	1	.08
10	0-00180-0	CORK W-KEY 3600 XXXX	2	.03
11	0-04682-1	BRDG WKEY SL NP XXXX	2	.76
12	0-04463-6	SCR WKEY NI-PLT 4X10	2	.12
13	0-04560-9	SPRING WATERKEY XXXX	2	.17
14	0-04633-4	W-KEY ASM TS NP 6115	1	2.54
15	0-05839-6	TUBE OS TUN 4100-10	1	.74
16	0-05973-3	TUBE IS SL TUN XIXX	1	.35
17	0-05461-9	VALVE ASSM 4100-10	1	41.61
18	0-31181-1	PSTN ASM 1 NIPL 41XX	1	12.92
19	0-31182-9	PSTN ASM 2 NIPL 41XX	1	12.50
20	0-31183-7	PSTN ASM 3 NIPL 41XX	1	12.49
21	0-03994-1	GUIDE STAR	3	.32
22	0-04124-4	RING SPRNG SEAT OLDS	3	.17
23	0-04111-1	SPRING VAL OLDS 4XXX	3	.05
24	0-03911-5	STEM PSTN NPL O 4XXX	3	.76
25	0-05743-0	CORK PSTN STEM 4XXX	3	.13
26	0-03380-3	FELT PSTN STM GR OLD	3	.01
27	0-03188-0	CAP TOP NI-PLT 4X10	3	1.12
28	0-03381-1	FELT TOP CAP GR OLDS	3	.05
29	0-03433-0	FNGRIP ASM NPL 4X10	3	.93
30	0-03177-2	CAP BOT NI-PLT 4X10	3	.83
31	0-05837-0	TUBE OS SL 3 41XXX-2	2	.59
32	0-03093-2	BRC ASM 3 TUN 41XX	1	.71
33	0-04400-8	BRC GUIDE TPT 41XX	1	.75
35	0-05833-9	TUBE IS SL 3RD XIXX	2	.69
36	0-05836-2	TUBE OS SL 3RD 41XX	2	.49
37	0-04910-6	CRK 1 3 TPT SL XIXX	2	.96
38	0-04412-3	SCREW STOP 3 SL 4XXX	1	.08
39	0-04411-5	BAR 3 SL TUN 4X05-10	1	.96
40	0-04370-3	BRC ASM LOCK 4105-10	1	2.61
41	0-08194-3	SCREW LOCK LAQ 4X10	1	.86
42	0-04450-3	NIP WK 3SL MILL XXXX	1	.07
43	0-04626-8	W-KEY ASSM 3N-P XXXX	1	2.22
44	0-04850-4	LYREHLDK ASM BR 4XXX	1	1.22
45	0-03085-8	SCR SET NI-PL O 4XXX	1	.26
46	0-04835-5	PSH ROD ASM NPL 4X10	1	2.09
47	0-04090-7	SLIDE 2 OSS TPT B 41	2	.21
49	0-04080-8	SL 25L INS T BR 41X0	2	.24
50	0-04912-2	CROOK 2 TPT SL 41XX	1	1.87
51	0-03632-7	KNOB SLIDE BR 4XXX	1	.07
52	0-05835-4	TUBE OS SL 1ST 41XX	2	.49
53	0-03940-2	RING SL BEAD NI 41XX	4	.11
55	0-05832-1	TUBE IS SL 1ST XIXX	2	.44
56	0-03941-2	FERR 3/8 SLIDE 4100	2	.16
57	0-03384-5	RING SL BUMPER O-R	2	.10
58	0-05340-5	STUD 1 SL PIVOT 4XXX	1	.19
59	0-05343-9	SCR STUD NIPLT 4X10	2	.17
60	0-05351-2	PIVOT YOKE DRLL XXXX	1	.43
61	0-04350-5	BAR THD 1 SL TR 4210	1	.40
62	0-05352-0	YOK HINGE SLTGD4XXX	1	1.80
63	0-05190-4	SCRW BRG 3SL TRG4XXX	1	1.10
64	0-04420-6	SPRING 1 LEVER 4X10	1	.27
65	0-04340-6	LEV ASM 1 SL NP 4110	1	5.22
66	0-03920-6	FERR BL CON AMB 41XX	1	.20
67	0-03122-9	BRC ASM SLIDE 4105	1	.87
68	0-03132-8	BRC ASM 1 BELL 4XXX	1	.80
69	0-04291-1	BRC ASSEM#1 BEV 4XXX	3	.97
70	0-03272-2	ROD CONN NS 4X10-30	2	.13
71	0-04321-6	BRC ASSEM#7 BEV 41X0	1	1.05
72	0-05130-0	BRC ASM 2 BAL B 4XXX	2	.67
73	0-05040-1	BRC ASM 6 BAL B 41XX	2	.67
74	0-19202-1	BELL ENGR 4003 4110	1	39.80
75	0-04360-4	BRDGE 1 SL TRIG 4X10	1	1.39
A	0-31261-1	1ST SL ASSY 4110 NS	1	9.54
B	0-31253-8	2ND SL ASSY 4100-10	1	6.13
C	0-31260-3	3RD SL ASSY 4110 NS	1	22.77
D	0-31259-5	TUN SL ASSY 4110 NS	1	14.10
J	0-21318-1	MOUTH-PIPE ASSY 4110	1	6.28
K	0-21234-0	WKEY KIT 35L 4110-42	1	3.37
L	0-21233-2	WKEY KIT TUN SL 4110	1	3.69
M	0-21288-6	TRIG KIT 1ST SL 4X10	1	9.97



4110 T-10 STUDIO TRUMPET